



www.santos.fr



# Automatic Citrus Juicer With Lever # 10

The genuine commercial  
citrus juicer since 1954

For all citrus fruits : Lemons,  
Oranges, Grapefruits.

Ideal for hotels, bars, restaurants.



# 10C (Chromed model)



Removable  
perforated strainer  
for centrifugal  
squeezing.

Internationally Patented Models



# Automatic Citrus



## Since 1954

The real commercial juicer, **built to last**, with a heavy duty and quiet asynchronous motor, for use everywhere you need a fresh squeezed citrus juice: Juice Bars, Health Food Stores, Hotels, Bars, Restaurants, Cafeterias, Ice Cream shops, Institutions, Hospitals and even... at Home.

**High output** : just cut your citrus half and press. You will extract easily from 20 to 40 litres per hour (5 to 10 gallons).

**Removable perforated strainer**  
stainless steel



Stainless steel cup

Stainless steel bowl

Wide spout accepting all types of glasses.  
Height of the spout : 135mm (5")



Removable drip tray.

Articulated lever

Stainless steel deflector  
protects from any juice  
ejection

**Special clutch system**  
when you press.  
Instant start and stop.

Heavy duty and quiet  
asynchronous motor.  
High speed.

Chromed or painted (grey).  
motor base



# Juicer With Lever # 10

## Easy to use - Easy to clean - Completely safe

The unique juicer that you can clean **quickly and easily**, just wash the removable perforated strainer in a simple movement. (NSF approved)

One Removable perforated strainer with centrifugal action and maximum filtration of pulp. For lemons, oranges, grapefruits. Stainless steel 18/10



## Technical specifications

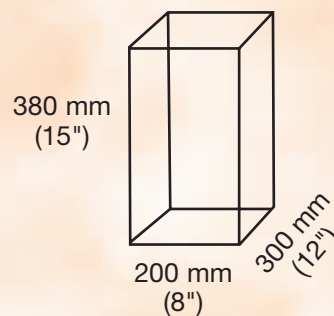
### Motor :

Single phase : 100-120V - 50/60 Hz - 260 W  
220-240V - 50/60 Hz - 230 W

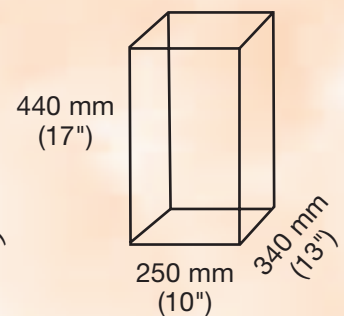
Speed : 1500 RPM (50 Hz)  
1800 RPM (60 Hz)

Weight : Net 9,5 Kg  
Packed 10,3 Kg

### Appliance :



### Shipping box :



## Safety - Standards - Hygiene

This Juicer has been designed to comply with the most severe international safety and hygiene regulations in conformity with the standards, especially :

- ◆ Machinery directive 98/37/EC
- ◆ Electromagnetic compatibility 89/336/EEC
- ◆ Electrical equipment designed for use within certain voltage limits "low voltage" 73/23/ECC
- ◆ RoHS directive 2002/95/EC
- ◆ Harmonized European standards  
EN 12100 - 1 and 2 : 2004 EN 60204 - 1 : 2006  
EN 60335 - 1 : 2002
- ◆ CE European standards
- ◆ GS (Germany) controlled by LNE laboratory
- ◆ UL (USA & Canada)
- ◆ NSF (USA)

### Electrical safety

- On/Off interlock switch is waterproof
- All mechanical parts are ground (earth) connected
- All equipment is perfectly controlled after assembly (special electrical testing bay)

### Thermal safety

Motor protected by internal thermal detector.

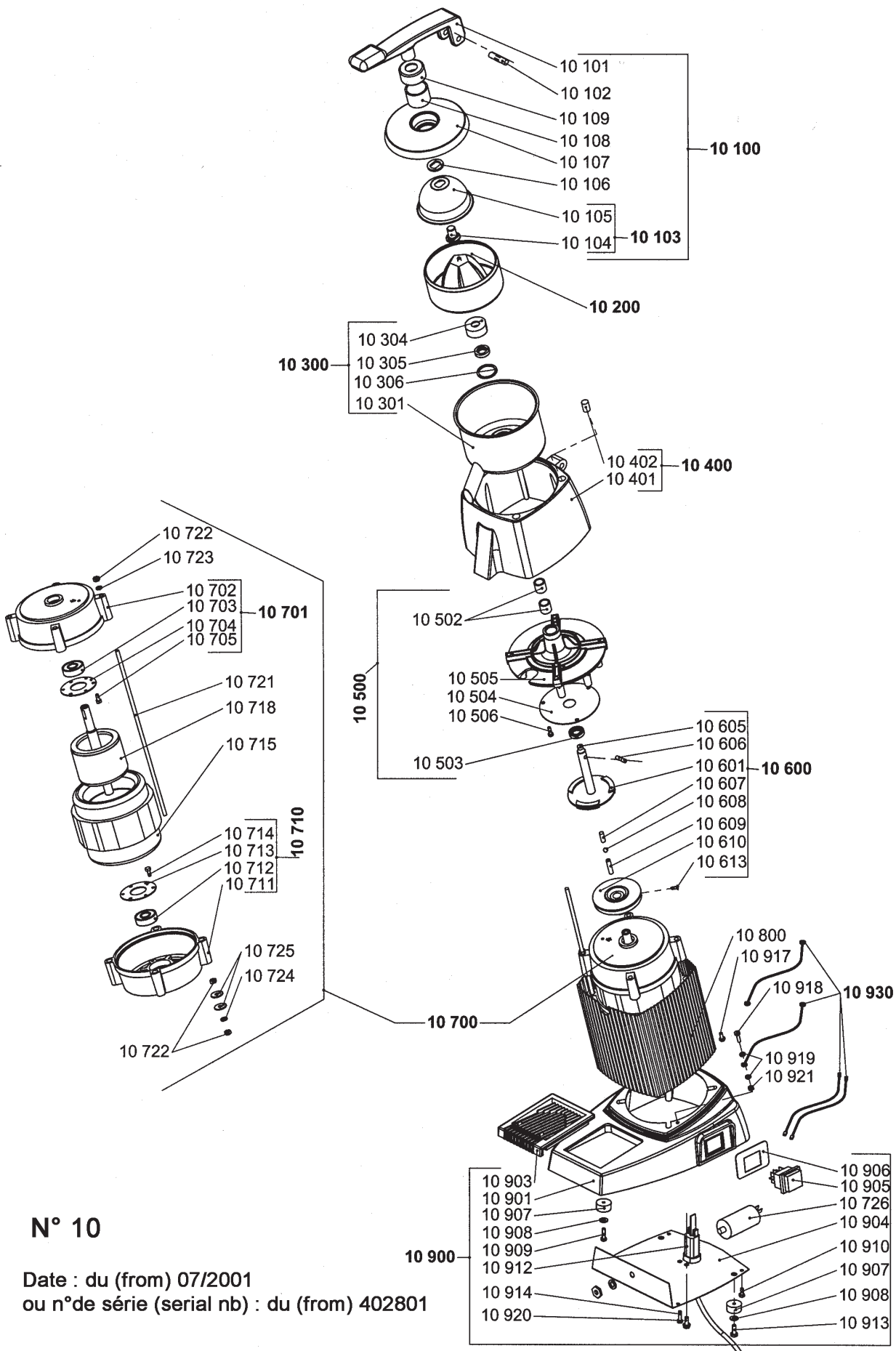
### Acoustic safety

The asynchronous motor with clutch system is particularly silent

### Hygiene

All removable parts can be put in a dishwasher or easily cleaned with hot soapy water (NSF approved).

# Automatic Citrus Juicer With Lever # 10



**N° 10**

Date : du (from) 07/2001  
 ou n°de série (serial nb) : du (from) 402801