



www.santos.fr



#01 coffee grinder: :

- Model available on request with a bag holder.
- Special version available on request for pepper and dry spices equipped with a special grinding system (#01P)



Coffee Grinder with drawer #01

For hotels, bars, restaurants, institutions, cafeterias, coffee shops, coffee roasters...



Wide range of precision grinding can be selected. Easy to adjust.

Average output: 14 kg/hour (31 lbs/hr)

Stainless steel and aluminium body

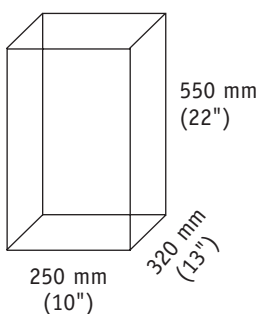
Hopper capacity: 1kg (2.2lbs)

Ø63.5mm (2.5") special tempered steel SANTOS grinding discs (burrs), long lasting, easy to change.

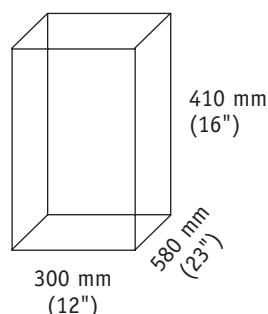
Special plastic drawer (container)
Capacity: 800 g (1.8 lbs)

Color:
● Brown

Appliance:



Shipping box:

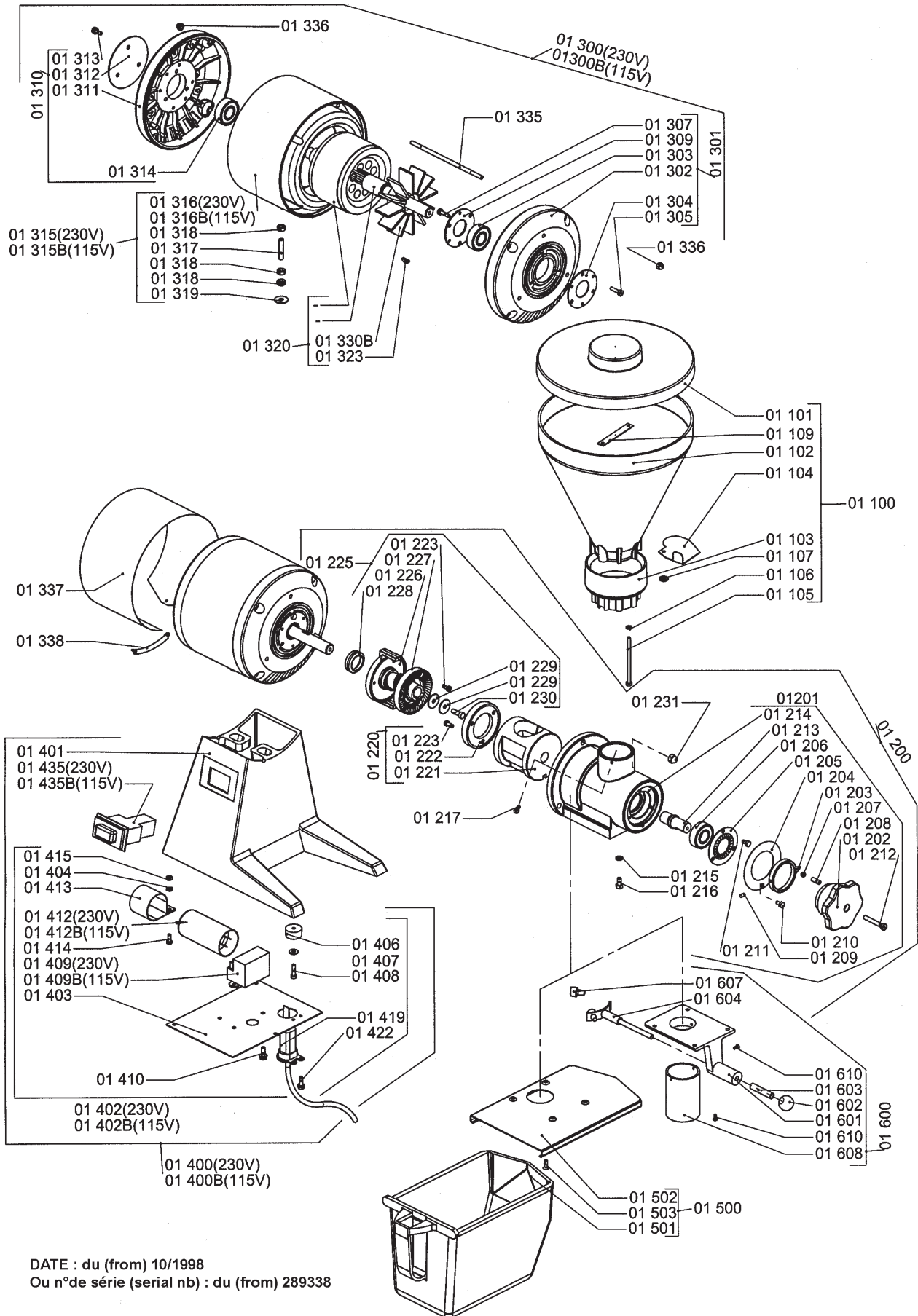


TECHNICAL SPECIFICATIONS

- **Motor :** with thermal protection
Single Phase: 220-240 V – 50/60 Hz – 600 W
100-120 V – 50/60 Hz – 650 W
Speed: 1500 RPM (50 Hz)
1800 RPM (60 Hz)
- **Weight :** Net : 15 Kg (33 lbs)
Shipping: 16 Kg (35 lbs)

Internationally patented models

Coffee grinder #01



DATE : du (from) 10/1998
 Ou n°de série (serial nb) : du (from) 289338